



<b>KTEB-135HE-1-TP</b>	
Ballast Type	Electronic
Starting Method	Rapid Start
Lamp Connection	
Input Voltage	120Vac ± 10%
Input Frequency	60Hz

**ELECTRICAL SPECIFICATIONS:**

Lamp Type	No. of Lamp	Input Watts	Input Current (Amps)	Power Factor	Crest Factor	Ballast Factor	Ballast Efficacy Factor	Max. THD %
F21T5 HE	1	22	0.34	0.53	< 1.7	1.00	4.54	140
F28T5 HE	1	27	0.40	0.55	< 1.7	0.92	3.41	135
F35T5 HE	1	33	0.48	0.57	< 1.7	0.88	2.67	125

**PERFORMANCE:**

- Sound Rated: A
- Minimum Starting Temperature: 0°F, -18°C
- Maximum Case Temperature: 167°F, 75°C
- Meets FCC Part 18 (Class B) Consumer Limits
- Transient Protection meets ANSI/IEEE C62.41 Cat. A
- Lamp end-of-life protected

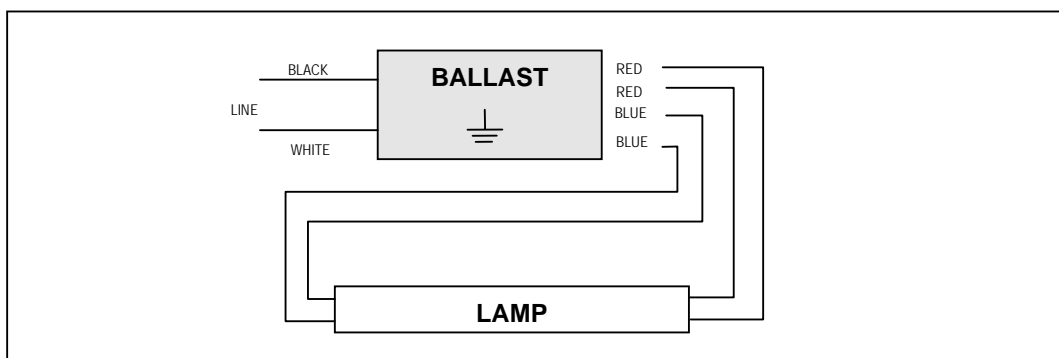
**APPROVALS:**

- UL, cUL 935 listed

**PHYSICAL DIMENSIONS:**

Length (L):	9.00"
Width (W):	0.95"
Height (H):	0.95"
Mounting (M):	8.75"
Lead Length:	
White, Black	20"
Blue	32"
Red	48"

**WIRING DIAGRAM:**



**KEYSTONE TECHNOLOGIES LLC.**  
**P.O. Box 246, AMBLER, PENNSYLVANIA 19002**  
**PHONE: 215-283-2600**  
**FAX: 215-628-4412**  
**INFO@KEYSTONEBALLAST.COM**  
**WWW.KEYSTONEBALLAST.COM**