



KTET-75-2-SCP-RJS

TRANSFORMER TYPE: Electronic	INPUT VOLTAGE: 277VAC ±10%	WARRANTY: 3 Years
LAMP CONNECTION: Parallel	INPUT FREQUENCY: 50/60 Hz	POWER FACTOR: Normal

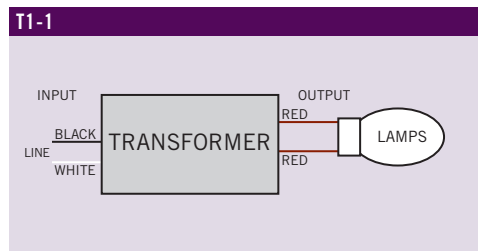
ELECTRICAL SPECIFICATIONS

LAMP TYPE	INPUT WATTS	INPUT CURRENT (AMPS)	POWER FACTOR	OUTPUT VOLTAGE	WIRING DIAGRAM
12V Halogen Lamps	70	0.26	0.96	11.00	T1-1

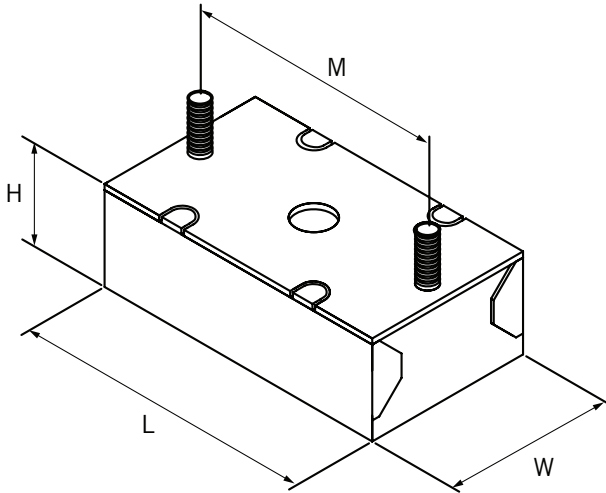
PRODUCT FEATURES

- Minimum Starting Temperature: 0°F, -18°C
- Maximum Case Temperature: 194°F, 90°C
- Short Circuit Protection

WIRING DIAGRAMS



CASE STYLE/DIMENSIONS



CASE DIMENSIONS

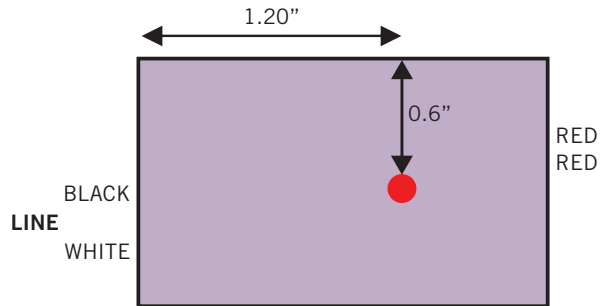
LENGTH: 2.48"
WIDTH: 1.38"
HEIGHT: 0.83"

STANDARD LEAD LENGTHS*

BLACK: 8.00"
WHITE: 8.00"
RED: 6.00"
CASE MATERIAL: Metal

*Consult Keystone for special lead length requirements.

HOT SPOT LOCATION



ORDERING INFORMATION

ORDER CODE	PACKAGING STYLE	PACK QTY.	ITEM STATUS

CATALOG NUMBER BREAKDOWN

KTET-75-2-SCP-RJS

Keystone Technologies Electronic Transformer 75 W Max Input Power 277 V Input Short Circuit Protection Rear Junction Mount, with Studs