



<b>KTLD-60-1-24V</b>	
Transformer Type	Electronic (Class 2)
Loading	LED
Input Voltage	120Vac ± 10%
Input Frequency	50 / 60Hz

**ELECTRICAL SPECIFICATIONS:**

<b>Input</b>	<b>Rated Power</b>	69W
	<b>Max. Current</b>	0.64A
	<b>Power factor</b>	>0.9
<b>Output</b>	<b>Max. Power</b>	60W
	<b>Max. Current</b>	2.5A
	<b>Min. Current</b>	0A
	<b>Voltage</b>	24V

**FEATURES:**

- Meets FCC 47 CFR Part 15 (Class B) Consumer Limits
- With Over Current and Short Circuit Protection
- 3-Year Warranty
- Type 1 Outdoor, suitable for dry and damp location

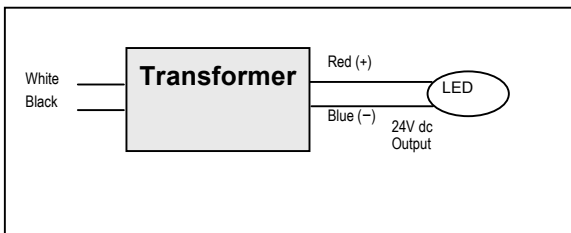
**APPROVALS:**

- UL 879, UL8750 recognized component LED power unit and signage application

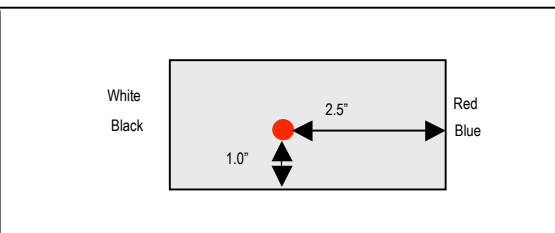
**PHYSICAL DIMENSIONS:**

Length (L):	9.50"	
Width (W):	1.70"	
Height (H):	1.18"	
Mounting (M):	8.90"	
Metal case		
White, Black, Red, Blue		12"

**WIRING DIAGRAM:**

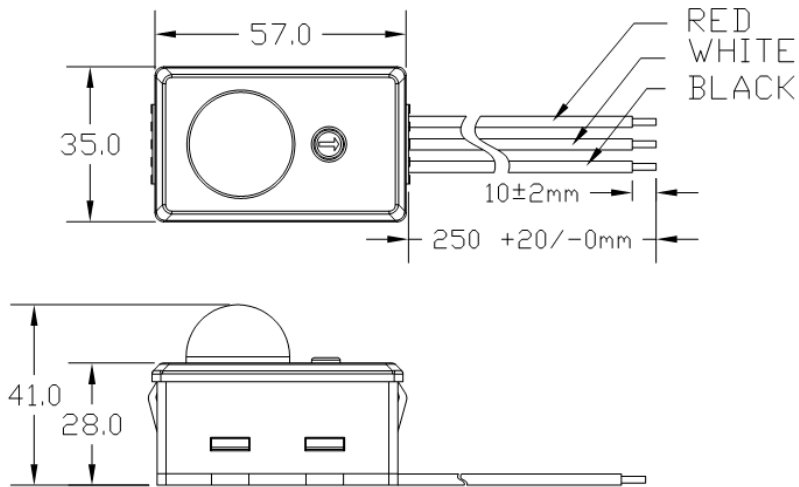


**HOTTEST SPOT LOCATION:**



**KEYSTONE TECHNOLOGIES, LLC**

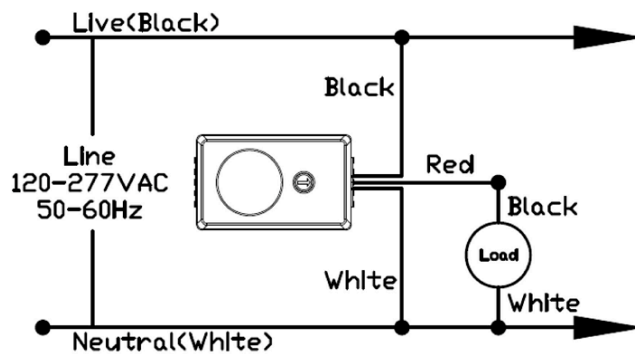
P.O. Box 246, Ambler PA 19002 • Toll Free: 800-464-2680 • Phone: 215-283-2600  
Fax: 215-628-4412 • Email: info@keystoneballast.com



### INSTALLATION

Sensor can be directly snapped into the fixture panel punch-out with dimension: 55mm x 33mm. Typical panel thickness: 0.8mm and depth: 25mm. Mounting height: 8ft high for optimized field-of-view (20ft/6.1m diameter)

### WIRING DIAGRAM



### PACKING CONTENT

- Sensor unit with 250mm wires
- Installation instruction