



| KTEB-275-1-TP-PIC-SL | |
|-----------------------------|---------------|
| Ballast Type | Electronic |
| Starting Method | Instant Start |
| Lamp Connection | Parallel |
| Input Voltage | 120Vac ± 10% |
| Input Frequency | 60Hz / 50Hz |

ELECTRICAL SPECIFICATIONS:

| Lamp Type | No. of Lamp | Input Watts | Input Current (Amps) | Power Factor | Crest Factor | Ballast Factor | Ballast Efficacy Factor | Max. THD % |
|---------------|-------------|-------------|----------------------|--------------|--------------|----------------|-------------------------|------------|
| F96T12 75W | 2 | 133 | 1.12 | 0.99 | <1.7 | 0.88 | 0.66 | 10 |
| | 1 | 82 | 0.68 | 0.99 | <1.7 | 1.05 | 1.28 | 10 |
| F96T12/ES 60W | 2 | 117 | 0.98 | 0.99 | <1.7 | 0.88 | 0.75 | 10 |
| | 1 | 72 | 0.60 | 0.99 | <1.7 | 1.05 | 1.46 | 10 |
| F72T12 57W | 2 | 107 | 0.92 | 0.99 | <1.7 | 0.90 | 0.84 | 10 |
| | 1 | 67 | 0.60 | 0.99 | <1.7 | 1.05 | 1.57 | 10 |
| F48T12 40W | 2 | 76 | 0.68 | 0.99 | <1.7 | 0.92 | 1.21 | 10 |
| F48T12/ES 30W | 2 | 64 | 0.60 | 0.99 | <1.7 | 0.92 | 1.44 | 10 |

PERFORMANCE:

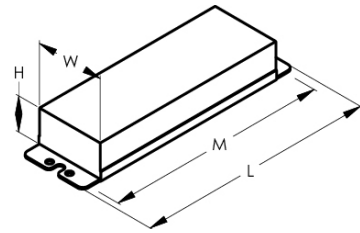
- Sound Rated: A
- Minimum Starting Temperature: 0°F, -18°C
- Maximum Case Temperature: 167°F, 75°C
- Meets FCC Part 18 (Class A) Consumer Limits
- Transient Protection meets ANSI/IEEE C62.41 Cat. A
- Ballast frequency for all listed lamps: 20KHz-33KHz
- 3-Year Warranty

APPROVALS:

- UL, cUL 935 Listed

PHYSICAL DIMENSIONS:

| | |
|---------------|-------|
| Length (L): | 9.50" |
| Width (W): | 1.80" |
| Height (H): | 1.38" |
| Mounting (M): | 9.00" |



WIRING DIAGRAM:

