



PRODUCT FEATURES

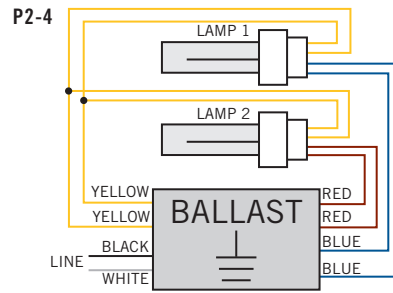
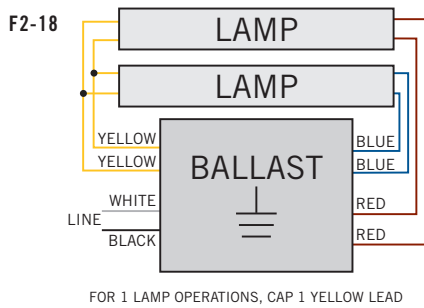
| | | |
|----------------------------------|---------------------------------------|---------------------------|
| STARTING METHOD: Program | INPUT VOLTAGE: 120-277VAC ±10% | WARRANTY: 5 Years |
| LAMP CONNECTION: Parallel | INPUT FREQUENCY: 50/60 Hz | POWER FACTOR: High |

- Sound Rated: A
- Minimum Starting Temperature: 0°F, -18°C
- Maximum Case Temperature: 167°F, 75°C
- Meets FCC Part 18 (Class A) Non-Consumer Limits
- Transient Protection Meets ANSI/IEEE62.41 Cat. A
- Ballast frequency for all listed lamps: > 40kHz

ELECTRICAL SPECIFICATIONS

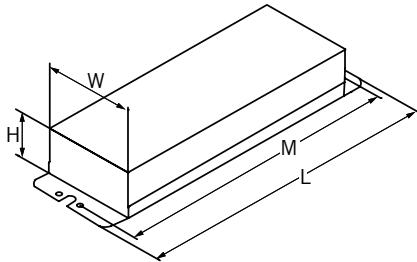
| LAMP TYPE | NO. OF LAMPS | INPUT VOLTS | INPUT WATTS | INPUT CURRENT (AMPS) | POWER FACTOR | CREST FACTOR | BALLAST FACTOR | BALLAST EFFICACY FACTOR | MAX THD% | WIRING DIAGRAM |
|-----------|--------------|-------------|-------------|----------------------|--------------|--------------|----------------|-------------------------|----------|----------------|
| F32T8 32W | 2 | 120 | 60 | 0.50 | 0.99 | <1.7 | 0.88 | 1.47 | 10 | F2-18 |
| | | 277 | 60 | 0.22 | 0.98 | <1.7 | 0.88 | 1.47 | 10 | F2-18 |
| | 1 | 120 | 37 | 0.31 | 0.98 | <1.7 | 0.99 | 2.68 | 10 | F2-18 |
| | | 277 | 37 | 0.14 | 0.93 | <1.7 | 0.99 | 2.68 | 10 | F2-18 |
| F32T8 30W | 2 | 120 | 56 | 0.47 | 0.99 | <1.7 | 0.88 | 1.57 | 10 | F2-18 |
| | | 277 | 56 | 0.21 | 0.98 | <1.7 | 0.88 | 1.57 | 10 | F2-18 |
| | 1 | 120 | 36 | 0.30 | 0.98 | <1.7 | 1.02 | 2.83 | 10 | F2-18 |
| | | 277 | 36 | 0.14 | 0.96 | <1.7 | 1.02 | 2.83 | 10 | F2-18 |
| F32T8 28W | 2 | 120 | 54 | 0.45 | 0.99 | <1.7 | 0.90 | 1.67 | 10 | F2-18 |
| | | 277 | 54 | 0.20 | 0.98 | <1.7 | 0.90 | 1.67 | 10 | F2-18 |
| | 1 | 120 | 35 | 0.29 | 0.99 | <1.7 | 1.06 | 3.03 | 10 | F2-18 |
| | | 277 | 35 | 0.13 | 0.96 | <1.7 | 1.06 | 3.03 | 10 | F2-18 |
| F32T8 25W | 2 | 120 | 50 | 0.42 | 0.99 | <1.7 | 0.92 | 1.84 | 10 | F2-18 |
| | | 277 | 50 | 0.19 | 0.97 | <1.7 | 0.92 | 1.84 | 10 | F2-18 |
| | 1 | 120 | 33 | 0.27 | 0.99 | <1.7 | 1.05 | 3.18 | 10 | F2-18 |
| | | 277 | 33 | 0.12 | 0.95 | <1.7 | 1.05 | 3.18 | 12 | F2-18 |
| F25T8 25W | 2 | 120 | 47 | 0.40 | 0.99 | <1.7 | 0.83 | 1.77 | 10 | F2-18 |
| | | 277 | 47 | 0.18 | 0.95 | <1.7 | 0.88 | 1.87 | 10 | F2-18 |
| | 1 | 120 | 31 | 0.26 | 0.98 | <1.7 | 1.01 | 3.26 | 10 | F2-18 |
| | | 277 | 32 | 0.12 | 0.95 | <1.7 | 1.01 | 3.16 | 12 | F2-18 |
| F17T8 17W | 2 | 120 | 34 | 0.30 | 0.98 | <1.7 | 0.90 | 2.65 | 10 | F2-18 |
| | | 277 | 35 | 0.13 | 0.96 | <1.7 | 0.90 | 2.57 | 10 | F2-18 |
| | 1 | 120 | 23 | 0.20 | 0.98 | <1.7 | 1.03 | 4.48 | 10 | F2-18 |
| | | 277 | 24 | 0.09 | 0.93 | <1.7 | 1.03 | 4.29 | 12 | F2-18 |
| F40T8 40W | 1 | 120 | 45 | 0.38 | 0.98 | <1.7 | 0.99 | 2.20 | 10 | F2-18 |
| | | 277 | 45 | 0.17 | 0.97 | <1.7 | 1.01 | 2.24 | 10 | F2-18 |
| PLL 25W | 2 | 120 | 55 | 0.46 | 0.99 | <1.7 | 0.88 | 1.60 | 10 | P2-4 |
| | | 277 | 55 | 0.20 | 0.98 | <1.7 | 0.88 | 1.60 | 12 | P2-4 |
| | 1 | 120 | 35 | 0.29 | 0.99 | <1.7 | 1.03 | 2.94 | 10 | P2-4 |
| | | 277 | 35 | 0.13 | 0.96 | <1.7 | 1.03 | 2.94 | 12 | P2-4 |
| PLL 28W | 2 | 120 | 60 | 0.51 | 0.99 | <1.7 | 0.93 | 1.55 | 10 | P2-4 |
| | | 277 | 60 | 0.22 | 0.99 | <1.7 | 0.94 | 1.57 | 10 | P2-4 |
| | 1 | 120 | 38 | 0.32 | 0.99 | <1.7 | 1.07 | 2.82 | 10 | P2-4 |
| | | 277 | 38 | 0.14 | 0.98 | <1.7 | 1.07 | 2.82 | 10 | P2-4 |
| PLL 40W | 1 | 120 | 40 | 0.34 | 0.99 | <1.7 | 0.80 | 2.00 | 10 | P2-4 |
| | | 277 | 40 | 0.15 | 0.98 | <1.7 | 0.80 | 2.00 | 10 | P2-4 |

WIRING DIAGRAMS



Program Start T8 ballasts require the use of NON-shunted lampholders/sockets.

CASE STYLE/DIMENSIONS



CASE DIMENSIONS

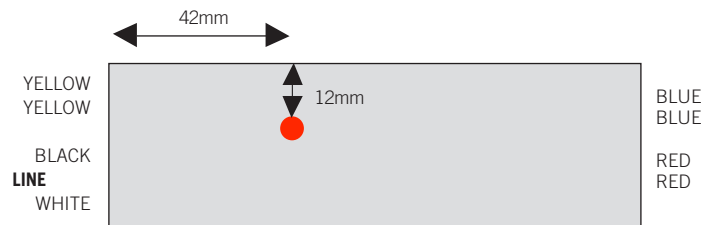
| |
|-----------------------|
| LENGTH: 9.50" |
| WIDTH: 1.38" |
| HEIGHT: 1.18" |
| MOUNTING: 8.90" |
| UNIT WEIGHT: 1.17 lbs |

STANDARD LEAD LENGTHS*

| |
|-------------------------|
| BLACK: 25.00" |
| WHITE: 25.00" |
| BLUE: 31.00" X 31.00" |
| RED: 34.00" X 34.00" |
| YELLOW: 48.00" X 48.00" |

*Consult Keystone for special lead length requirements.

HOT SPOT LOCATION



ORDERING INFORMATION

| ORDER CODE | PACKAGING STYLE | PACK QTY. | ITEM STATUS |
|-----------------------|-----------------|-----------|-------------|
| KTEB-232-UV-PS-N-P-CP | Carton | 30 | Quick Ship |

CATALOG NUMBER BREAKDOWN

