



KTEB-140-1-TP-EMI	
Ballast Type	Electronic
Starting Method	Rapid Start
Lamp Connection	--
Input Voltage	120Vac \pm 10%
Input Frequency	60Hz

ELECTRICAL SPECIFICATIONS:

Lamp Type	No. of Lamp	Input Watts	Input Current (Amps)	Power Factor	Crest Factor	Ballast Factor	Ballast Efficacy Factor	Max. THD %
F40T12 (40W)	1	36	0.53	0.567	1.58	0.88	2.44	150
F34T12 (34W)	1	30	0.45	0.550	1.50	0.88	2.93	150
F40T12 (25W)	1	36	0.53	0.566	1.54	1.33	3.69	150
F30T12 (30W)	1	28	0.41	0.580	1.51	0.93	3.32	150

PERFORMANCE:

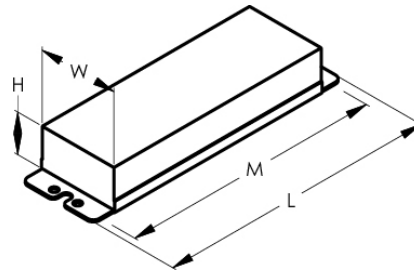
- Sound Rated: A
- Minimum Starting Temperature: 0°F, -18°C
- Maximum Case Temperature: 167°F, 75°C
- Transient Protection meets ANSI/IEEE C62.41 Cat. A
- Lamp end-of-life protected
- Meets FCC Part 18 (Class B) Consumer Limits
- 3-Year Warranty

APPROVALS:

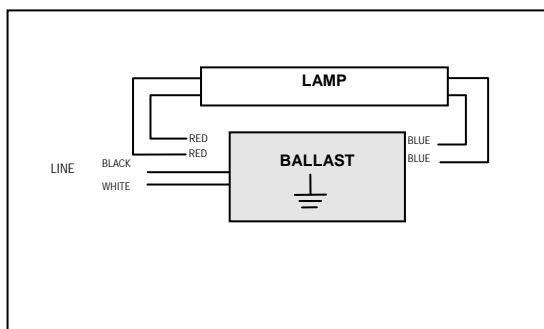
- UL, cUL 935 listed.

PHYSICAL DIMENSIONS:

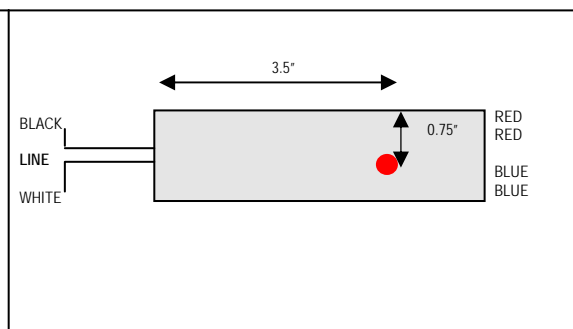
Length (L):	6.46"
Width (W):	1.37"
Height (H):	1.00"
Mounting (M)	6.00"
Lead Length:	
White, Black	15"
Blue, Red	25"



WIRING DIAGRAM:



HOT SPOT LOCATION:



KEYSTONE TECHNOLOGIES LLC.
P.O. Box 246, AMBLER, PENNSYLVANIA 19002
PHONE: 215-283-2600
FAX: 215-628-4412
INFO@KEYSTONEBALLAST.COM
WWW.KEYSTONEBALLAST.COM