

WPLED13

LED 10W & 13 Wallpacks. 3 cutoff options. Patent Pending thermal management system. 100,000 hour L70 lifespan. 5 Year Warranty.

Color: Bronze

Weight: 3.3 lbs

LED Info

Watts: 13W
 Color Temp: 5000K (Cool)
 Color Accuracy: 66
 L70 Lifespan: 100000
 LM79 Lumens: 1,064
 Efficacy: 71 LPW

Driver Info

Type: Constant Current
 120V: 0.13A
 208V: 0.08A
 240V: 0.07A
 277V: 0.06A
 Input Watts: 15W
 Efficiency: 87%

Technical Specifications

UL Listing:

Suitable for Wet Locations as a Downlight. Suitable for Damp Locations as an Uplight. Wall Mount only. Suitable for Mounting within 4ft. of ground.

Lumen Maintenance:

The LED will deliver 70% of its initial lumens at 100,000 hours of operation.

Cold Weather Starting:

The minimum starting temperature is -40°F/-40°C.

Ambient Temperature:

Suitable for use in 50°C (122°F) ambient temperatures.

Driver:

Multi-chip 13W high output long life LED Driver
 Constant Current, Class 2 100V - 277V, 50/60 Hz.

THD:

12.54% at 120V

Surge Protection:

4KV

Color Temperature (Nominal CCT):

5000K

Fixture Efficacy:

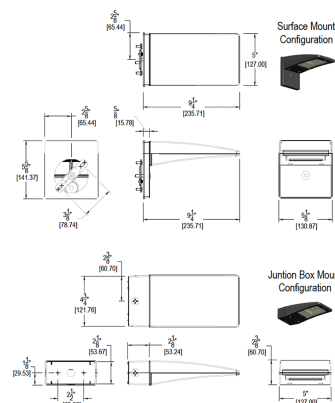
71 Lumens per Watt

Color Accuracy:

66 CRI

Finish:

Our environmentally friendly polyester powder coatings are formulated for high-durability and long-lasting color, and contains no VOC or toxic heavy metals.



Color Consistency:

7-step MacAdam Ellipse binning to achieve consistent fixture-to-fixture color.

Color Stability:

LED color temperature is warranted to shift no more than 200K in CCT over a 5 year period.

Color Uniformity:

RAB's range of CCT (Correlated color temperature) follows the guidelines of the American National Standard for Specifications for the Chromaticity of Solid State Lighting (SSL) Products, ANSI C78.377-2008.

Green Technology:

RAB LEDs are Mercury and UV free.

Dark Sky Approved:

The International Dark Sky Association has approved this product as a full cutoff, fully shielded luminaire.

For use on LEED Buildings:

IDA Dark Sky Approval means that this fixture can be used to achieve LEED Credits for Light Pollution Reduction.

Patents:

The design of the LPACK is protected by U.S. Pat. D604,004 and patents pending in Canada, China and Taiwan.

IESNA LM-79 & IESNA LM-80 Testing:

RAB LED luminaires have been tested by an independent laboratory in accordance with IESNA LM-79 and 80, and have received the Department of Energy "Lighting Facts" label.

Gaskets:

High Temperature Silicone.



Warranty:

RAB warrants that our LED products will be free from defects in materials and workmanship for a period of five (5) years from the date of delivery to the end user, including coverage of light output, color stability, driver performance and fixture finish. See our full warranty .

Equivalency:

The WPLED13 is Equivalent in delivered lumens to a 100W Metal Halide Wallpack.

HID Replacement Range:

The WPLED13 can be used to replace 70-150W Metal Halide Wallpacks based on delivered lumens.

DLC Listed:

This product is on the Design Lights Consortium (DLC) Qualified Products List and is eligible for rebates from DLC Member Utilities.

Country of Origin:

Designed by RAB in New Jersey and assembled in Taiwan.

Trade Agreements Act Compliant:

This product is a product of Taiwan and a "designated country" end product that complies with the Trade Agreements Act.

GSA Schedule:

This product is suitable for listing on the GSA Schedule of the US General Services in accordance with FAR Subpart 25.4.