



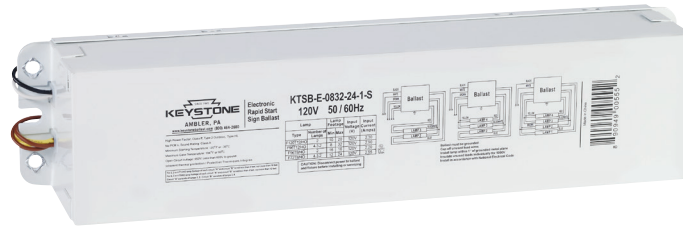
KTSB-E-0832-24-1-S

SMARTWIRE™ ELECTRONIC SIGN BALLAST



DESCRIPTION

2-4 Lamps | T8HO or T12HO | 8'-32' Combined Lamp Length | Series Wiring



STARTING METHOD: Rapid Start | **INPUT VOLTAGE:** 120VAC ±10% | **LAMP CONNECTION:** Series | **INPUT FREQUENCY:** 60 Hz

PRODUCT FEATURES

- Sound Rated: A
- Minimum Starting Temperature: -20°F, -30°C
- Maximum Case Temperature: 194°F, 90°C
- Meets FCC Part 18 (Class A) Non-Consumer Limits
- UL, cUL 935 Listed, Class P, Type 2 Outdoor, Type HL
- Open Circuit Voltage: 1000V

ELECTRICAL SPECIFICATIONS FOR COMMON CONFIGURATIONS*

Lamp Type	No. of Lamps	Input Volts	Input Watts	Input Current (Amps)	Power Factor	Crest Factor
F96T12/HO, 110W	4	120	371	3.10	>0.90	<1.70
F96T12/HO, 110W	3	120	236	1.98	>0.90	<1.70
F96T12/HO, 110W	2	120	201	1.69	>0.90	<1.70
F120T12/HO, 135W	2	120	266	2.30	>0.90	<1.70
F96T8/HO, 86W	2	120	253	2.20	>0.90	<1.70
F72T8/HO, 65W	4	120	296	2.55	>0.90	<1.70

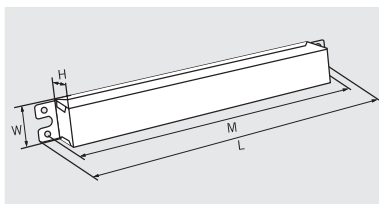
*Consult factory for additional sign configurations.

LAMP FOOTAGE

Lamp Type	Minimum	Maximum
T12HO	8'	32'
T8HO	8'	24'

MECHANICAL SPECIFICATIONS

CASE DIMENSIONS



LENGTH	14.44"
WIDTH	3.20"
HEIGHT	2.73"
MOUNTING	13.81"
CASE STYLE	L29

STANDARD LEAD LENGTHS*

WHITE	24"
BLACK	24"
BLUE	80"
RED	80"
YELLOW	72"
BROWN	72"
BLUE/WHITE	54"

Lead wires are 18 AWG 105°C/600V, solid copper.

CASE MATERIAL: Metal

*Consult Keystone for special lead length requirements.

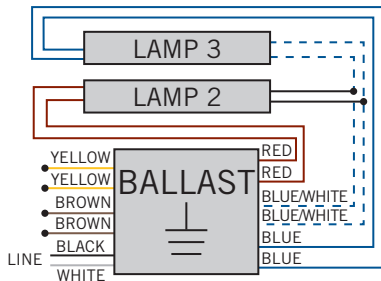
FOR INSTALLATION PURPOSES

Ballast consists of two lamp circuits - Circuit A and Circuit B. Circuit A consists of lamps 1, 2 and Circuit B consists of lamps 3, 4.

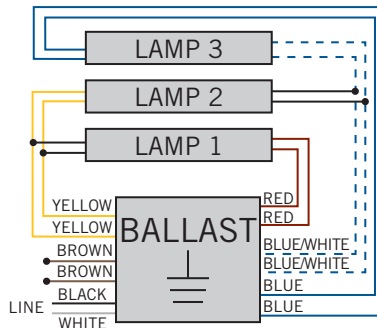
- Each lamp circuit can drive 1 or 2 T12HO lamps in any combination from 4'-16'.
- Each lamp circuit can drive 1 or 2 T8HO lamps in any combination from 4'-12'.

Each lamp circuit should be balanced with equal lamp load (footage).

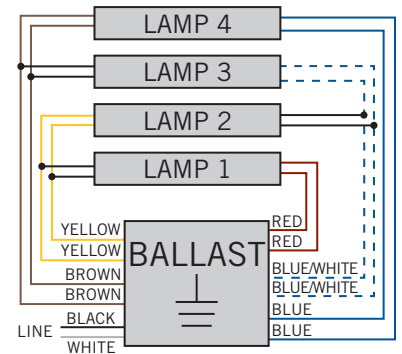
WIRING DIAGRAMS



Two Lamp Application, Cap Off
Unused Leads Individually

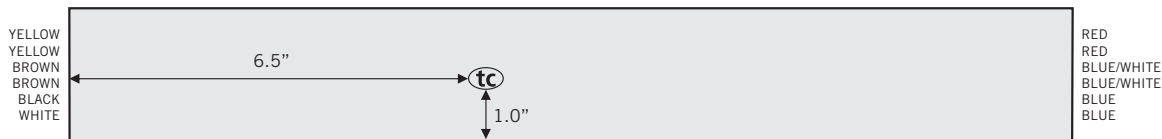


Three Lamp Application, Cap Off
Unused Leads Individually



Four Lamp Application

HOT SPOT LOCATION



Actual tc point is noted on each ballast label.

ORDERING INFORMATION

ORDER CODE	PACKAGING STYLE	PACK QTY.	ITEM STATUS
KTSB-E-0832-24-1-S-IP	Individually Packaged	1	Quick Ship

CATALOG NUMBER BREAKDOWN

KTSB-E-0832-24-1-S-IP



*Minimum and maximum total lamp length based on T12HO lamps.