



KTLD-12-1-xxx-FDIM-AF1
Constant current LED driver
Total power: 12W
Input voltage: 120Vac ± 10%
Number of outputs: One
UL8750 and UL879
IP20 design for dry and damp location
Dimmable with leading / trailing edge dimmer
5 year warranty

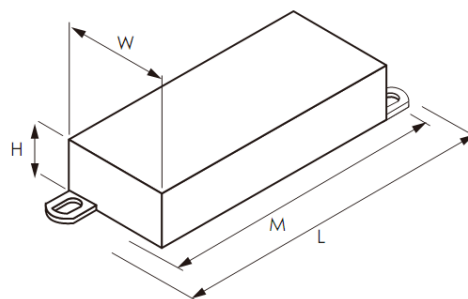
ELECTRICAL SPECIFICATIONS:		ENVIRONMENTAL SPECIFICATIONS:	
Input voltage range:	120Vac ± 10%	Operating temperature:	-30 to 60°C
Frequency:	60Hz	Storage temperature:	-40 to 85°C
Power factor:	>0.9 @full load	Humidity:	5% to 95%
Inrush current:	20A @120V	MTBF:	570,000 hours at 40°C ambient (~70°C Case temp)
Max input current:	0.15A @120V	Maximum case Temperature	90°C
THD:	<20%		
Protection:	Over voltage, Over current and Short circuit		
Withstand voltage	I/P – O/P 2k Vac		

PRODUCT SPECIFICATIONS:							
Model Number	Max output power	Output Current	Output Voltage	Efficiency	Remote mounting distance (#18 AWG)	Class 2	
						US	Canada
KTLD-12-1-220-FDIM-AF1	12W	220mA	15 - 54V	75%	110 ft	√	
KTLD-12-1-350-FDIM-AF1	12W	350mA	6 - 32V	75%	109 ft	√	√
KTLD-12-1-380-FDIM-AF1	12W	380mA	5 - 32V	75%	101 ft	√	√
KTLD-12-1-500-FDIM-AF1	12W	500mA	5 - 24V	77%	76 ft	√	√
KTLD-12-1-600-FDIM-AF1	12W	600mA	5 - 20V	77%	64 ft	√	√
KTLD-12-1-700-FDIM-AF1	12W	700mA	5 - 17V	77%	54 ft	√	√

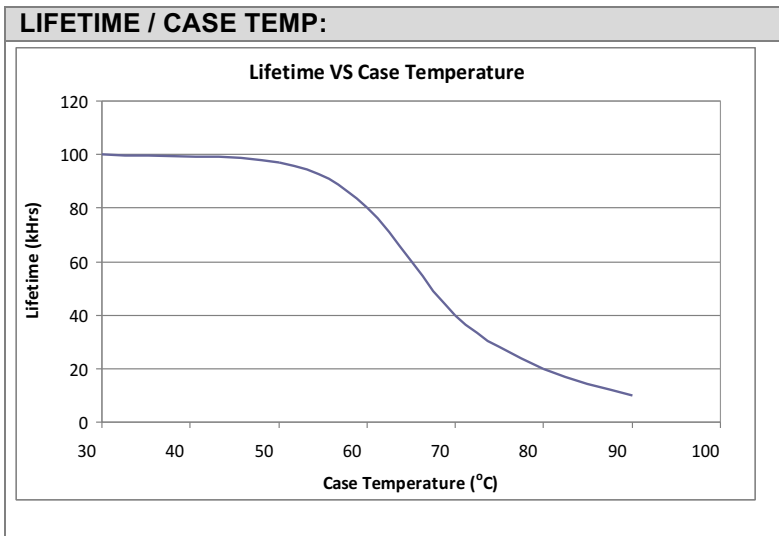
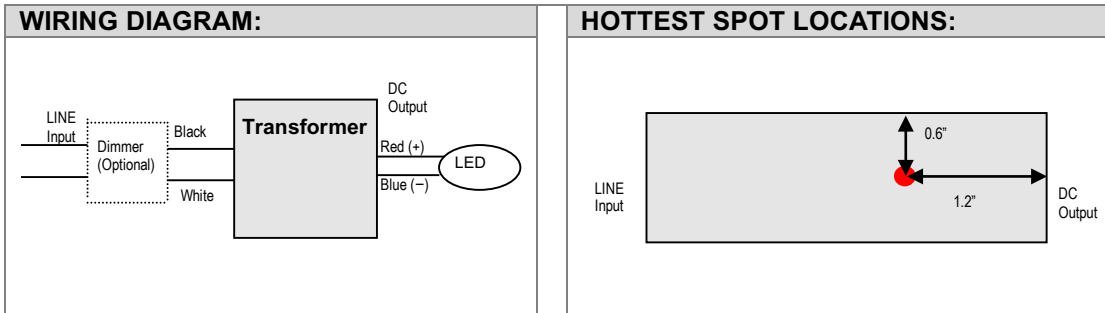
SAFETY AND EMC COMPLIANCE:	
UL/cUL	UL 8750 and UL 879
FCC, 47CFR Part 15	Class B Consumer Limit
EN61000-3-2	

PHYSICAL DIMENSIONS:	
Length (L):	4.86"
Width (W):	1.30"
Height (H):	0.79"
Mounting (M):	4.57"
Weight:	0.15 kg

WIRE SPECIFICATIONS:	
Input:	12", UL 1316 #18AWG (Black and White)
Output:	12", UL 1316 #18AWG (Red and Blue)



Keystone Technologies • 208 Progress Drive, Montgomeryville, PA 18936
 Phone (800) 464-2680 • Fax (888) 966-0556 • www.keystoneballast.com



Keystone Technologies • 208 Progress Drive, Montgomeryville, PA 18936
 Phone (800) 464-2680 • Fax (888) 966-0556 • www.keystoneballast.com