



<b>KTLD-14-1-xxx-FDIM-AF1</b>
Constant current LED driver
Total power: 14W
Input voltage: 120Vac ± 10%
Number of outputs: One
UL 8750
IP20 design for dry and damp location
Dimmable with leading / trailing edge dimmer
5 year warranty

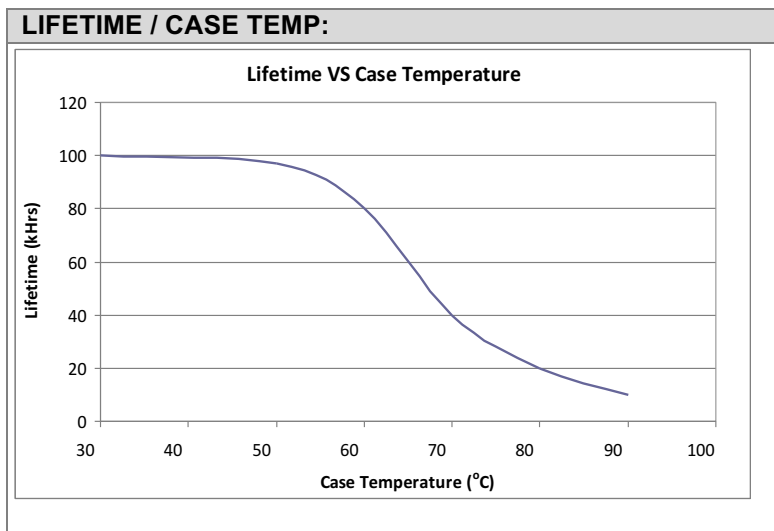
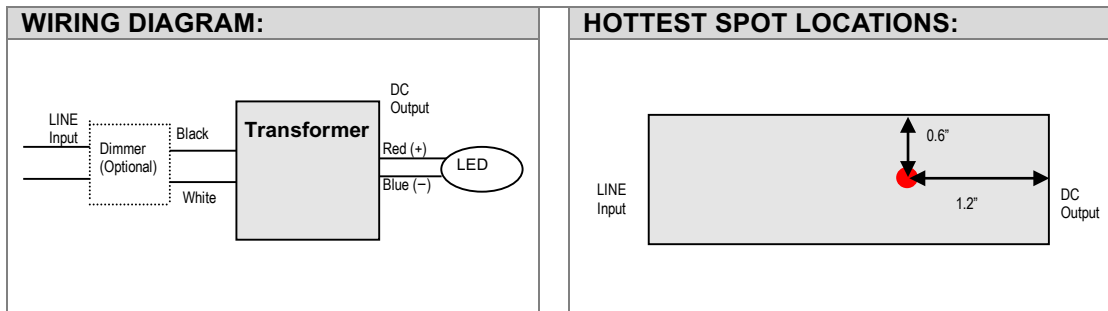
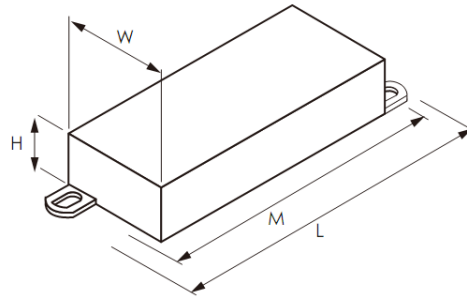
ELECTRICAL SPECIFICATIONS:		ENVIRONMENTAL SPECIFICATIONS:	
Input voltage range:	120Vac ± 10%	Operating temperature:	-30 to 60°C
Frequency:	60Hz	Storage temperature:	-40 to 85°C
Power factor:	>0.9 @full load	Humidity:	5% to 95%
Inrush current:	20A @120V	MTBF:	570,000 hours at 40°C ambient (~70°C Case temp)
Max input current:	0.17A @120V	Maximum case Temperature	90°C
THD:	<20%		
Protection:	Over voltage, Over current and Short circuit		
Withstand voltage	I/P – O/P 2k Vac		

PRODUCT SPECIFICATIONS:							
Model Number	Max output power	Output Current	Output Voltage	Efficiency	Remote mounting distance (#18 AWG)	Class 2	
						US	Canada
KTLD-14-1-260-FDIM-AF1	14W	260mA	18 – 54V	77%	147 ft	√	
KTLD-14-1-300-FDIM-AF1	14W	300mA	16 –47V	77%	128 ft	√	
KTLD-14-1-350-FDIM-AF1	14W	350mA	10 - 40V	77%	109 ft	√	√
KTLD-14-1-400-FDIM-AF1	14W	400mA	12 – 35V	77%	96 ft	√	√
KTLD-14-1-500-FDIM-AF1	14W	500mA	10 – 28V	77%	76 ft	√	√
KTLD-14-1-600-FDIM-AF1	14W	600mA	10 – 40V	77%	64 ft	√	√
KTLD-14-1-700-FDIM-AF1	14W	700mA	7 – 20V	77%	54 ft	√	√
KTLD-14-1-800-FDIM-AF1	14W	800mA	6 - 18V	77%	48 ft	√	√

SAFETY AND EMC COMPLIANCE:	
UL/cUL	UL 8750
FCC, 47CFR Part 15	Class B Consumer Limit
EN61000-3-2	

**Keystone Technologies** • 208 Progress Drive, North Wales, PA 19454  
 Phone (800) 464-2680 • Fax (888) 966-0556 • [www.keystoneballast.com](http://www.keystoneballast.com)

PHYSICAL DIMENSIONS:	
Length (L):	4.86"
Width (W):	1.30"
Height (H):	0.79"
Mounting (M):	4.57"
Weight:	0.15 kg
WIRE SPECIFICATIONS:	
Input:	12", UL 1316 #18AWG (Black and White)
Output:	12", UL 1316 #18 AWG (Red and Blue)



**Keystone Technologies** • 208 Progress Drive, North Wales, PA 19454  
 Phone (800) 464-2680 • Fax (888) 966-0556 • [www.keystoneballast.com](http://www.keystoneballast.com)