



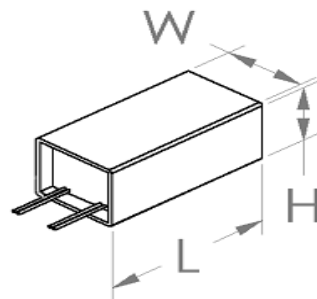
|                                       |
|---------------------------------------|
| <b>KTLD-10-1N-xxx-F3</b>              |
| Constant current LED driver           |
| Total power: 10W                      |
| Input voltage: 120Vac ± 10%           |
| Number of outputs: One                |
| UL 8750                               |
| IP20 design for dry and damp location |
| 5 year warranty                       |

| ELECTRICAL SPECIFICATIONS: |  | ENVIRONMENTAL SPECIFICATIONS: |   |
|----------------------------|--|-------------------------------|---|
| Input voltage range:       | 120Vac ± 10%                                 | Operating temperature:        | -30 to 60°C                                     |
| Frequency:                 | 50/60Hz                                      | Storage temperature:          | -40 to 85°C                                     |
| Power factor:              | >0.5 @full load                              | Humidity:                     | 5% to 95%                                       |
| Inrush current:            | 20A @120V                                    | MTBF:                         | 583,000 hours at 40°C ambient (~70°C Case temp) |
| Max input current:         | 0.22A @120V                                  | Maximum case Temperature      | 90°C  |
| THD:                       | <200%  |                               |   |
| Protection:                | Over voltage, Over current and Short circuit |                               |   |
| Withstand voltage          | I/P – O/P 2k Vac                             |                               |   |

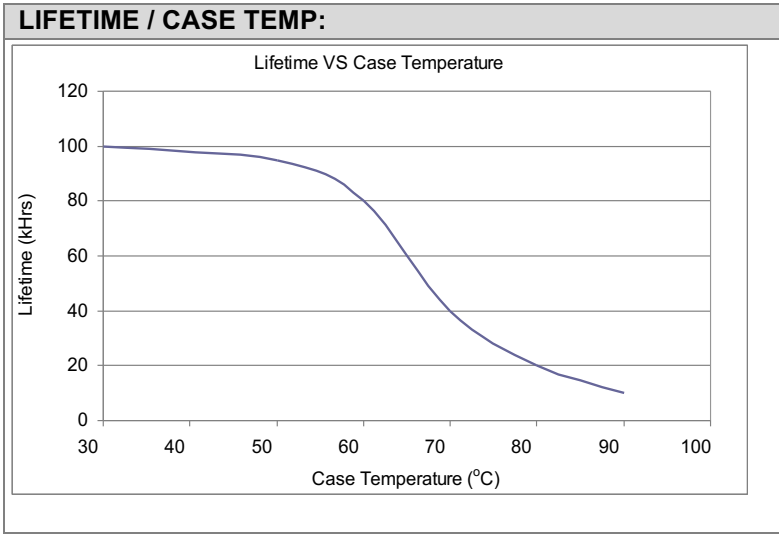
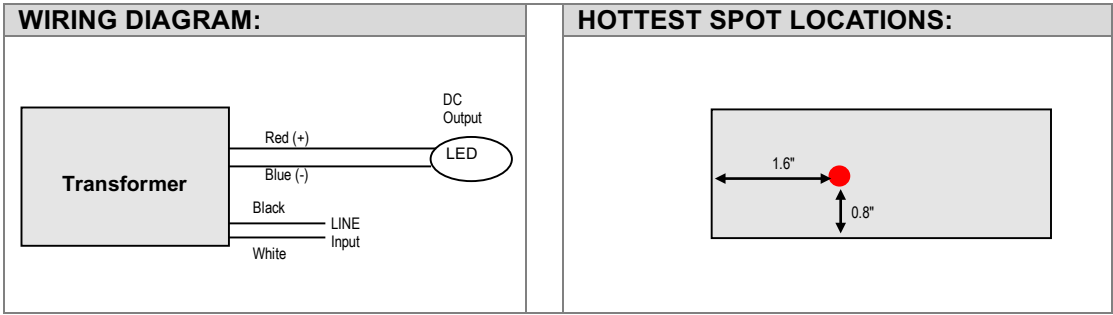
| PRODUCT SPECIFICATIONS: |                  |                |                |            |                                    |         |        |
|-------------------------|------------------|----------------|----------------|------------|------------------------------------|---------|--------|
| Model Number            | Max output power | Output Current | Output Voltage | Efficiency | Remote mounting distance (#18 AWG) | Class 2 |        |
|                         |                  |                |                |            |                                    | US      | Canada |
| KTLD-10-1N-300-F3       | 10W              | 300mA          | 6 - 33V        | 77%        | 128 ft                             | √       | √      |
| KTLD-10-1N-330-F3       | 10W              | 330mA          | 9 - 30V        | 77%        | 116 ft                             | √       | √      |
| KTLD-10-1N-350-F3       | 10W              | 350mA          | 7.5 - 30V      | 77%        | 109 ft                             | √       | √      |
| KTLD-10-1N-380-F3       | 10W              | 380mA          | 6.5 - 28V      | 77%        | 101 ft                             | √       | √      |

| SAFETY AND EMC COMPLIANCE: |                        |
|----------------------------|------------------------|
| UL/cUL                     | UL 8750                |
| FCC, 47CFR Part 15         | Class B Consumer Limit |
| EN61000-3-2                |                        |

| PHYSICAL DIMENSIONS: |                                       |
|----------------------|---------------------------------------|
| Length (L):          | 2.68"                                 |
| Width (W):           | 1.30"                                 |
| Height (H):          | 0.79"                                 |
| Mounting (M):        |                                       |
| Weight:              | 0.10 kg                               |
| WIRE SPECIFICATIONS: |                                       |
| Input:               | 12", UL 1316 #18AWG (Black and White) |
| Output:              | 12", UL 1316 #18AWG (Red and Blue)    |



Keystone Technologies • 208 Progress Drive, North Wales, PA 19454  
 Phone (800) 464-2680 • Fax (888) 966-0556 • [www.keystoneballast.com](http://www.keystoneballast.com)



**Keystone Technologies** • 208 Progress Drive, North Wales, PA 19454  
 Phone (800) 464-2680 • Fax (888) 966-0556 • [www.keystoneballast.com](http://www.keystoneballast.com)