

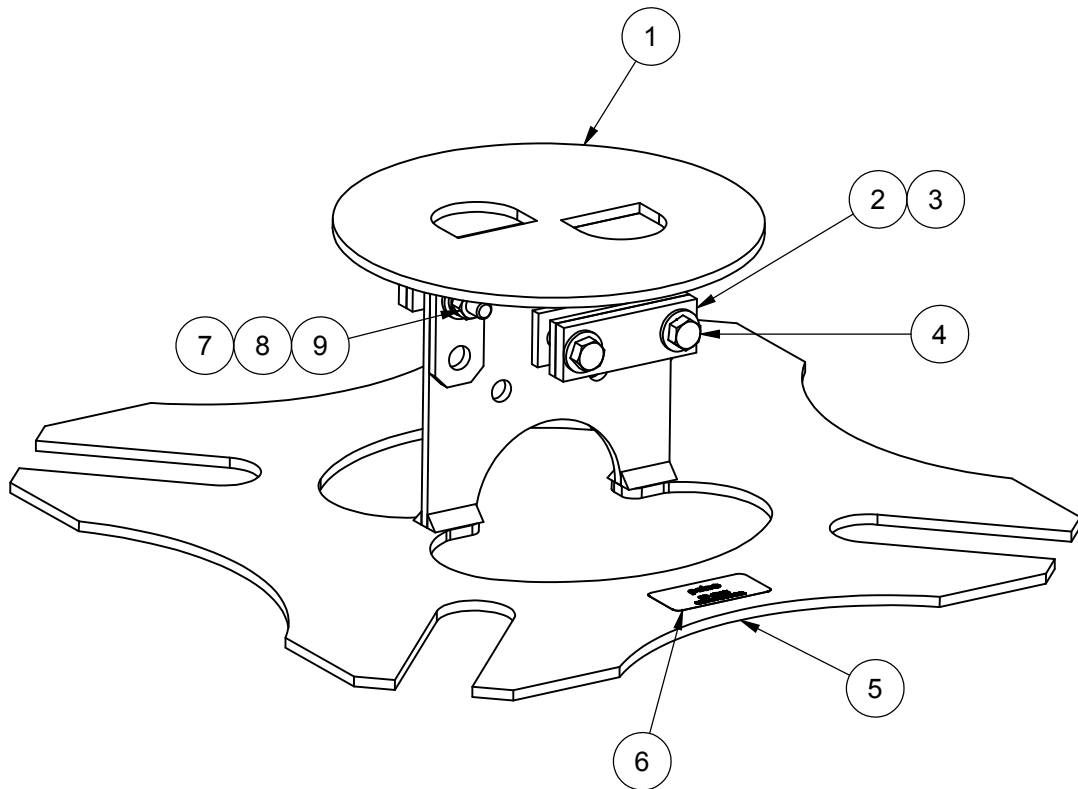
REF:

TITLE:

Cable Retainer Assy w/ Conductor Guide,
for 8" Foundation Anchor, Steel, Galv

PART NO.:

SP-6205-GLV



ITEM	PART NUMBER	DESCRIPTION	QTY
1	SP-6243-GLV	Weldment, Conductor Guide, 8" Cable Retainer Assy, Steel, Galv	1
2	SP-6199-3	Bar, Cable Retainer Assembly, Steel	2
3	SP-6199-4	Pad, Cable Retainer, 3/16" Thick, 90 Duro, Red Urethane	4
4	FS-2016-SS	Bolt, Hex Hd Tap, 5/16"-18 x 2-1/4" , Type 304 Stainless	4
5	SP-6204-GLV	Weldment, Cable Retainer Assembly, for 8" foundation Anchor, Steel Galvanized	1
6	O-3142	Label, 1" x 2", Cable Retainer	1
7	FS-4101-SS	Washer, Flat, 5/16" x .750" OD, Type 304 Stainless	8
8	FS-4201-SS	Lock Washer, Split, 5/16", Type 304 Stainless	4
9	FS-1001-SS	Nut, Hex 5/16"-18, Type 304 Stainless	4